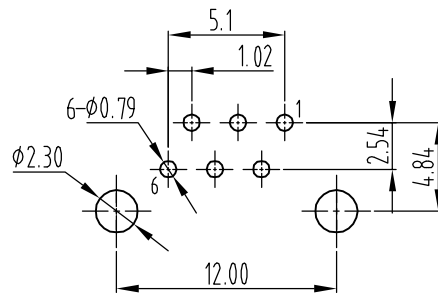
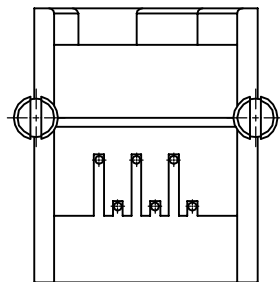
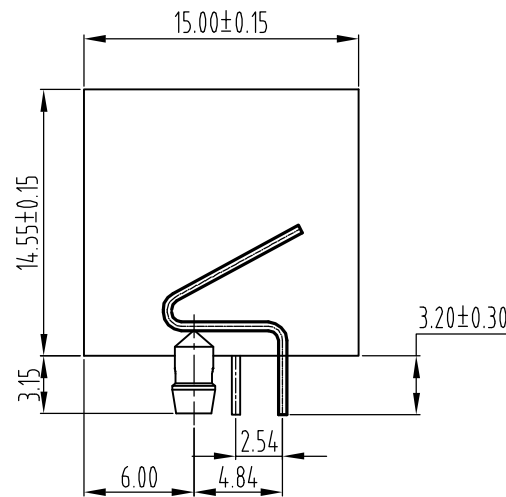
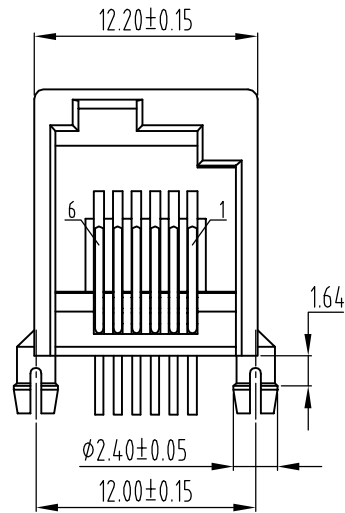


REVISION RECORD				
REV	ECD	DESCRIPTION	DRFT	CHKD



PCB LAYOUT/TOP VIEW

NOTES:

MATERIAL:

- 1.HOUSING :GLASS FILLED POLYESTER UL94V-0
- 2.CONTACT (ROUND PIN Ø0.46mm) :PHOSPHOR BRONZE WITH GOLD PLATING OVER NICKEL.

ELECTRICAL:

- 1.VOLTAGE RATING :125V AC.
- 2.CURRENT RATING :1.5AMP.
- 3.CONTACT RESISTANCE :30 MILLIOHMS MAX.
- 4.INSULATION RESISTANCE :500 MEGOHMS MIN @ 500V DC.
- 5.DIELECTRIC WITHSTANDING VOLTAGE :1000V AC RMS 50Hz OR 60Hz. 1MIN.

MECHANICAL:

- 1.INSERTION FORCE :2.2Kg MAX.
- 2.RETENTION STRENGTH :7.7Kg BETWEEN JACK AND PLUG
- 3.DURABILITY :750 CYCLES MINI.

ENVIRONMENTAL:

- 1.STORAGE : -40°C~+85°C.
- 2.OPERATION : -40°C TO 85°C.

THE MARTS MODULAR PLUG CONFORMAING TO FCC PART68

← MM (INCH) → TOLERANCES EXCEPT AS NOTED: MM .0 ± 0.15 ± .00 ± 0.08 ± .000 ± 0.05 ±		DFTD JIANX CHKD DATE MFD DATE APPVL DATE	DATE 2011-06-02 DATE DATE DATE	Coorle Technology TITLE 5523 PCB JACK 6P6C
ANGLES ± 0.01°		QT'Y :		
THIRD ANGLE PROJECTION		FINISH :		
SCALE :		DO NOT SCALE DRAWING		
DRAWING NO. /PART NO.			SIZE A4	REV A/1
SHEET X OF			V	